



Catalogue
FOOD SERVICE
Chapter
COOK & CHILL

Specific model
APW-061-E

18004257

08/08/2022

The photo may show the standard model and not the configured one

DENOMINATION:

iKORE ovenAdvance (touchscreen) PureSteam (boiler) with intelligent washing for 6 trays GN 1/1 electric heating. Configurable

DESCRIPTION :

FUNCTIONS:

- 10.1" glass state of the art touch screen for easy and intuitive operation
 - iCooking: Smart cooking process with automatic adjustment:
 - . Options at the end of the cooking process: maintain temperature, repeat cooking process, etc.
 - . Ability to modify smart cooking processes in progress and adjust parameters at any time
 - Additional functions (regeneration, sous vide, overnight cooking, fermentation, pasteurisation, smoking, charcuterie and dehydration): Smart cooking process with automatic adjustment
 - iClima:
 - . Humidity management and control by means of direct measurement with a humidity sensor
 - . 1% regulation capacity
 - Fagor Cooking Center:
 - . 200 factory preset and culinary tested recipes
 - . Ability to manage your favourite recipes
 - . Unlimited 9-stage recipe storage capacity
 - Air and water cool-down (rapid cabinet cooling function)
 - Multitray
 - Cooking modes: low temperature steam 30-98°, steam 99°, super steam 100- 130°, mixed 30-300° and convection 30-300°
 - Chamber dehumidification for crispy roasts
 - DeltaT cooking for delicate cooking
- PURESTEAM:**
- Higher steam saturation in the chamber than an injection oven
 - Pure steam generator with automatic filling function
 - Impurities in the water are deposited in the boiler, facilitating the maintenance of the oven and an impurity-free cooking chamber.
 - Steam generator equipped with limescale detector.
- Automatic and adjustable emptying of the generator every 24 hours of cooking.
- Limescale detection system
 - Semi-automatic descaling system
 - Guided descaling programme
- CONTROLS:**
- EasyCooking: option to configure the programmes by password
 - Languages: 36
 - Ability to configure screen tone, volume and contrast
 - Tones: 8
 - Power, network, language and system settings
 - Integrated help functions and instruction manual
 - Control and monitoring of the equipment from mobile devices via FagorConnect
 - SAT and Trade fair mode
- EQUIPMENT FEATURES:**
- Stop/start function
 - EZ-Sensor: Internal probe with 4 measuring locations
 - Positioning aid for temperature sensor
 - Manual steam injection
 - Automatic dehumidification system

DIMENSIONS



X Width	898 mm	X Gross width	980 mm
Y Depth	817 mm	Y Gross depth	953 mm
Z Height	846 mm	Z Gross height	1070 mm
Net Weight	126,0 kg	Gross Weight	159,0 kg
Net volume	0,630 m3	Gross volume	0,999 m3

ELECTRICITY TECHNICAL SPECIFICATIONS

Engine power	0,60 kW
Electric power	11,100 kW
Amperage (A)	16,9A / 29,4A / 50,9A / 16,9A
Heating power	10,50 kW

WATER TECHNICAL SPECIFICATIONS

Pressure	H2O: 200-400kPa(2-4bar)
Water max consumption	10,00 L/h

CONNECTIONS TECHNICAL SPECIFICATIONS

230 V three-phase wiring	3X6MM2+T- 32A
Single-phase 230V wiring	2X10MM2+T-50A
Three-phase +N 400V wiring	3X2,5MM2 +N+T-20A
Water inlet diameter	3/4"
Drain 1 diameter	40





Catalogue
FOOD SERVICE
Chapter
COOK & CHILL

Specific model
APW-061-E

18004257

08/08/2022

The photo may show the standard model and not the configured one

- Variable humidification with 5 levels
 - 6 programmable air circulation speeds (from 1400 rpm to turbine stop)
 - Option to switch from °C to °F
 - Energy consumption display
 - Display of actual values and selected values
 - Delayed programming
 - JIT (just in time) programming
 - Ability to select 1/2 power
 - Automatic adaptation to the characteristics of the installation site (altitude, etc.) including initial self-testing
 - Automatic boiling point adjustment
 - Removable fan cover
 - Integrated turbine brake for increased safety
 - HA-Control (indirect combustion, does not pass through the oven chamber)
 - Auto-reverse system for reversing fan rotation
 - Double-glazed, ventilated cooking chamber door
 - Special heat-reflective coating and hinged inner panes for easy cleaning
 - LED lighting in the cooking chamber
 - HOLD-OPEN DOOR systems (3 door locking positions for user safety)
 - Proximity contact door switch
 - Easily replaceable gasket insert
 - Interior and outer material: AISI 304 stainless steel (interior mirror polished)
- CERTIFICATION AND INSTALLATION SYMBOLS:**
- EC declaration of conformity
 - EC declaration of gas conformity
 - CB safety
 - IPX5 protection against splashes and jets of water
 - Height adjustable equipment feet (all except 0623)
 - Monitor App and maintenance App (self-diagnosis of warnings and errors)
 - Logging App:
 - . Cycle history
 - . Error history
- FAGORKONNECT:**
- Wi-Fi and ETHERNET connection as standard
 - Functions when the oven is connected or not to the internet.

- WASHING SYSTEM:**
- iWashing (environmentally and economically efficient)
 - Choice of iWashing Solid or iWashing Liquid smart washing systems
 - Washing programmes:
 - . 1 basic cleaning programme (spray)
 - . 3 automatic cleaning programmes
 - . 1 rinsing programme
 - . 1 polishing programme
 - Option to activate dirt softening during the cleaning process
 - Option to activate drying in the cleaning process
 - Indication of cleaning status and remaining time
 - Control and monitoring of the cleaning process from mobile devices via FagorKconnect

OPTIONS :

- BRAND
- CERTIFICATION
- CONNECTIVITY





Catalogue
FOOD SERVICE
Chapter
COOK & CHILL

Specific model
APW-061-E

18004257

08/08/2022

The photo may show the standard model and not the configured one

- DOOR OPENING
- ELECTRIC POWER
- FUSE DEFINITION
- RACK
- SHOWER
- SOUS VIDE & THERMAL PROBE
- WASHING SYSTEM
- WRAS

POSSIBLE ACCESSORIES :

- COOK & CHILL
- CONVERSION KITS
- CLEANING ACCESSORIES
- SPECIFIC FOR 061 AND 101
- SPECIFIC FOR 061 AND 103
- COOKING ACCESSORIES O
- STACKING SET
- SUPPORTS OVENS
- STRUCTURES AND TROLLEYS
- FASTENING KIT
- THERMICAL COVER
- PASTRY GUIDES
- VARIOUS
- KIT BAFFLE





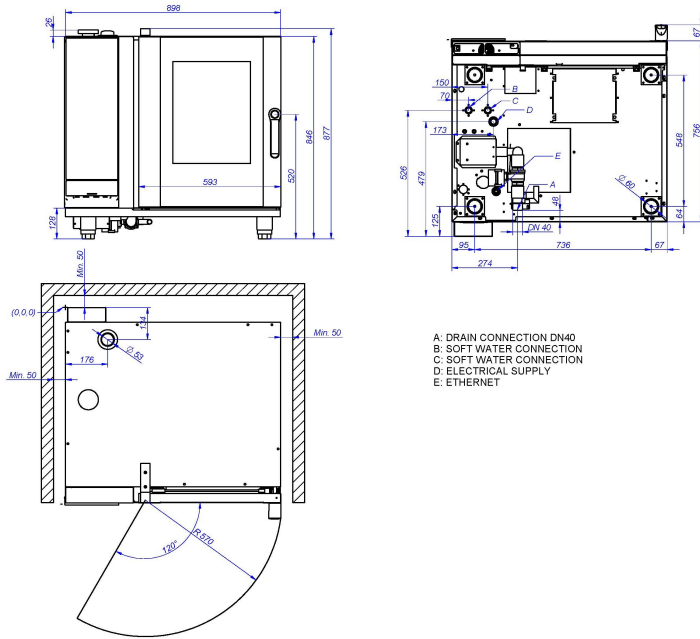
Catalogue
FOOD SERVICE
Chapter
COOK & CHILL

Specific model
APW-061-E

18004257

08/08/2022

061 - BOILER / INJECTION LEFT DOOR INTELLIGENT WASHING



061 - BOILER / INJECTION RIGHT DOOR INTELLIGENT WASHING

